

## Advantages of the HERTALAN® RhinoBond® fixing system

### ✓ NO PENETRATION OF THE ROOF MEMBRANE

The RhinoBond® System is a penetration-free mechanical fixing solution for HERTALAN® EPDM-membranes.

### ✓ EVEN DISTRIBUTION OF WIND LOAD

In contrast to traditional methods involving seam fixing, field fixing with the induction process distributes the wind load evenly over the EPDM-membranes.

### ✓ UP TO 30% FEWER FIXING REQUIREMENTS

The even distribution of the wind force means that the point load per fixing requirements is less and the system can handle higher wind forces with fewer fixing requirements.

### ✓ EFFICIENT INSTALLATION

The fixings are positioned precisely where they are actually needed. This reduces the number of fixings, shortens the labour time and minimises error.

### ✓ CUSTOM-MADE MEMBRANES

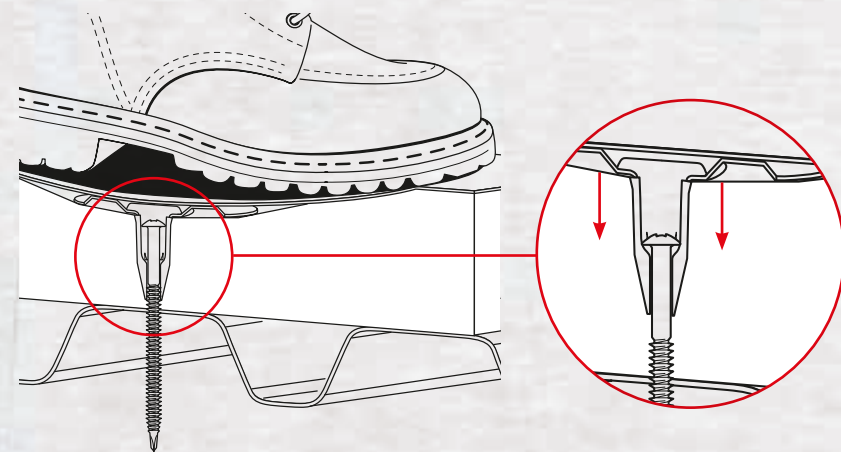
HERTALAN® EASY COVER is an EPDM-system. It is a factory fabricated system for an efficient onsite installation. This method considerably reduces the amount of onsite seaming required on the roof, consequently leading to a rapid and safe installation.

### ✓ FAST PROTECTION FROM INGRESS AFTER MOISTURE

With HERTALAN® Easy Cover and the RhinoBond® fixing system, you can temporarily seal your roof quickly and easily, even at the peripheries. Your roof is protected against rain and all weather types even before the induction process. Welding can be carried out even in the rain and at temperatures down to -10 °C.

### With Foot Traffic

The TreadSafe® system counteracts normal loads when walked on and thereby minimises the risk of the fixing breaking through the roof sheeting.



CARLISLE®  
Construction Materials Ltd.

United Kingdom

Lancaster House | Concorde Way  
Millennium Business Park | Mansfield  
Nottinghamshire | NG19 7DW

Tel.: +44 (0)1623 62 72 85

Fax: +44 (0)1623 65 27 41

E-Mail: [info.uk@ccm-europe.com](mailto:info.uk@ccm-europe.com)

[www.ccm-europe.com](http://www.ccm-europe.com)

## HERTALAN®

## RhinoBond® Induction Fixing System

ELECTROMAGNETIC INDUCTION WELDING –  
EFFICIENT RELIABLE AND PROVEN.



[www.hertalan.co.uk](http://www.hertalan.co.uk)

**CARLISLE**  
CM EUROPE

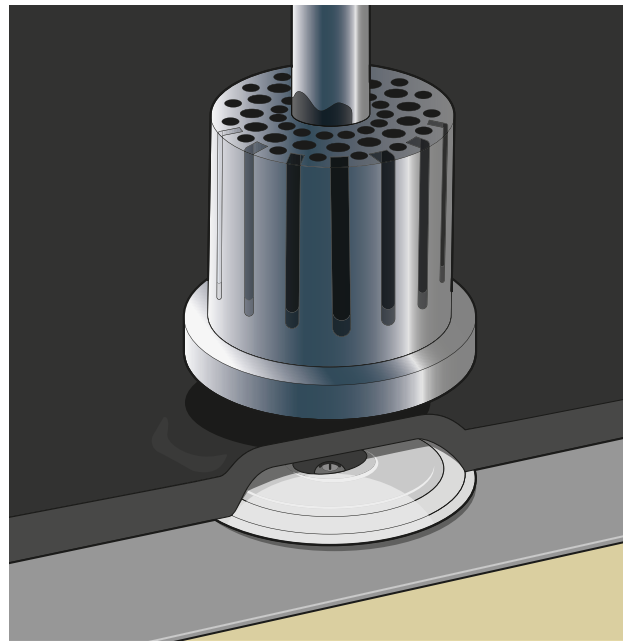
## A strong bond

Experience the new dimension of fixing with the RhinoBond® induction fixing system and our HERTALAN® EASY COVER membranes. This entire system uses induction-compatible plates to secure the HERTALAN® EPDM-membranes and insulation to the roof construction without having to breach the roof membrane.

### INNOVATIVE TECHNOLOGY

RhinoBond® is a patented electromagnetic induction welding technique known as Sinch®. The RhinoBond® induction system is used in combination with HERTALAN® EASY COVER EPDM-membranes. The induction device is activated directly over the specially coated fastening plate. Through induction, the coating on the fastening plates is heated to around 280 °C and liquefied in the process. The heating process takes only around five seconds if the RhinoBond® device is calibrated to the ambient temperature, the film thickness and the power source.

Immediately after welding, firm pressure from the magnetic cooling rods on the pre-welded fastening plates within 45 seconds creates a permanent bond with the HERTALAN® EPDM-membranes.

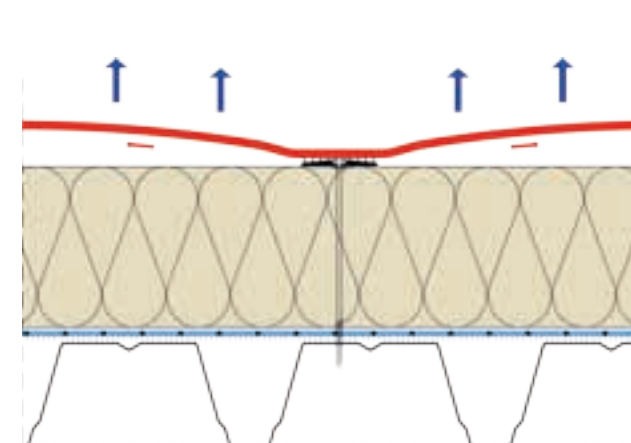
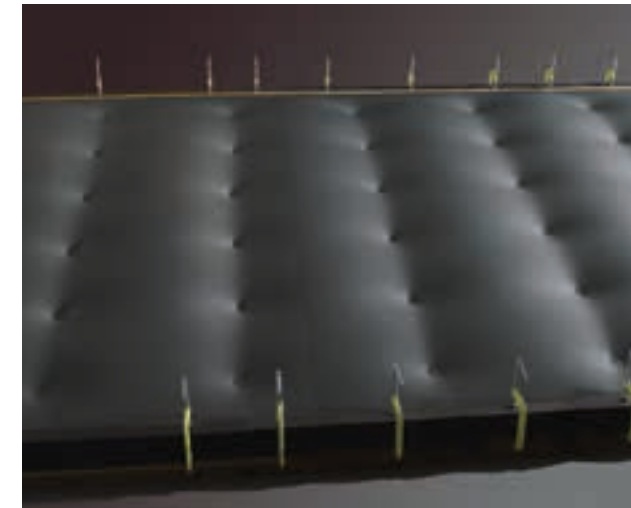


SEVERAL MILLION SQUARE METRES OF ROOF SURFACE HAVE ALREADY BEEN PERMANENTLY SEALED IN THE USA WITH THE PROVEN RHINOBOND® SYSTEM.

## Even distribution of wind load

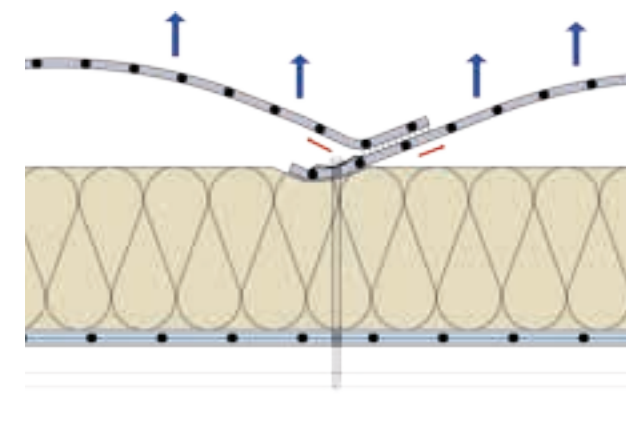
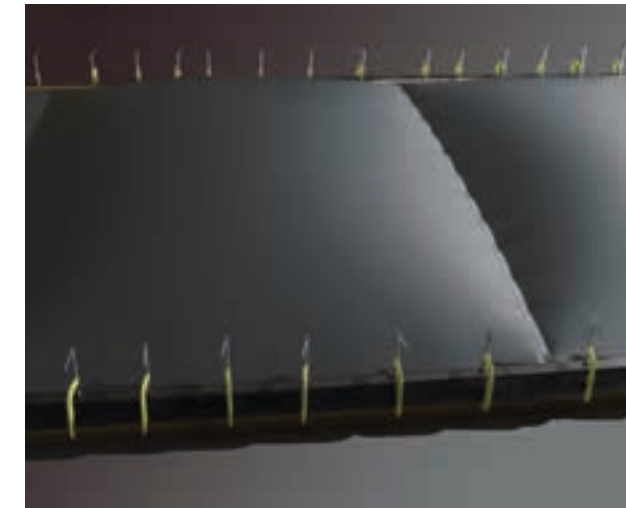
In contrast to traditional methods involving seam fixing, field fixing with the induction process distributes the wind load evenly over the EPDM-membranes. This prevents any asymmetrical force impact on the fastening plates and seams.

### FIELD FIXING



The position of the fastening plate is defined based on the wind load calculations for the property and distributed in the roof system. As a result, despite mechanical fixing, larger membranes can be used and a clear reduction achieved in the seam proportions and seam overlap compared to conventional systems fixed in place by mechanical means.

### SEAM FIXING



Since the fixing points are distributed like a grid across the entire roof and not just placed on the membrane joints, the wind forces are supported more evenly. As a result, the point load per fixing element is less and the system can handle higher wind forces with fewer fixing requirements.

## The HERTALAN® RhinoBond® Induction Fixing System

The RhinoBond® fixing system comprises perfectly coordinated components: Induction welding device, specially coated fastening plates for HERTALAN® EPDM-membranes and magnetic cooling rods.



### WE SUPPORT YOU WITH DESIGN AND INSTALLATION

- Calculation of drainage, tapered insulation and wind uplift
- Calculation and design of membranes required for the roof
- Creation of waterproofing specifications
- Training of roofing contractors in the installation of HERTALAN® EPDM-membranes and the RhinoBond® system in the CARLISLE® Academy and/or on the construction site
- Dimensions of membranes (for your first project or any complex installation, the CARLISLE® Technical Department will assist you)